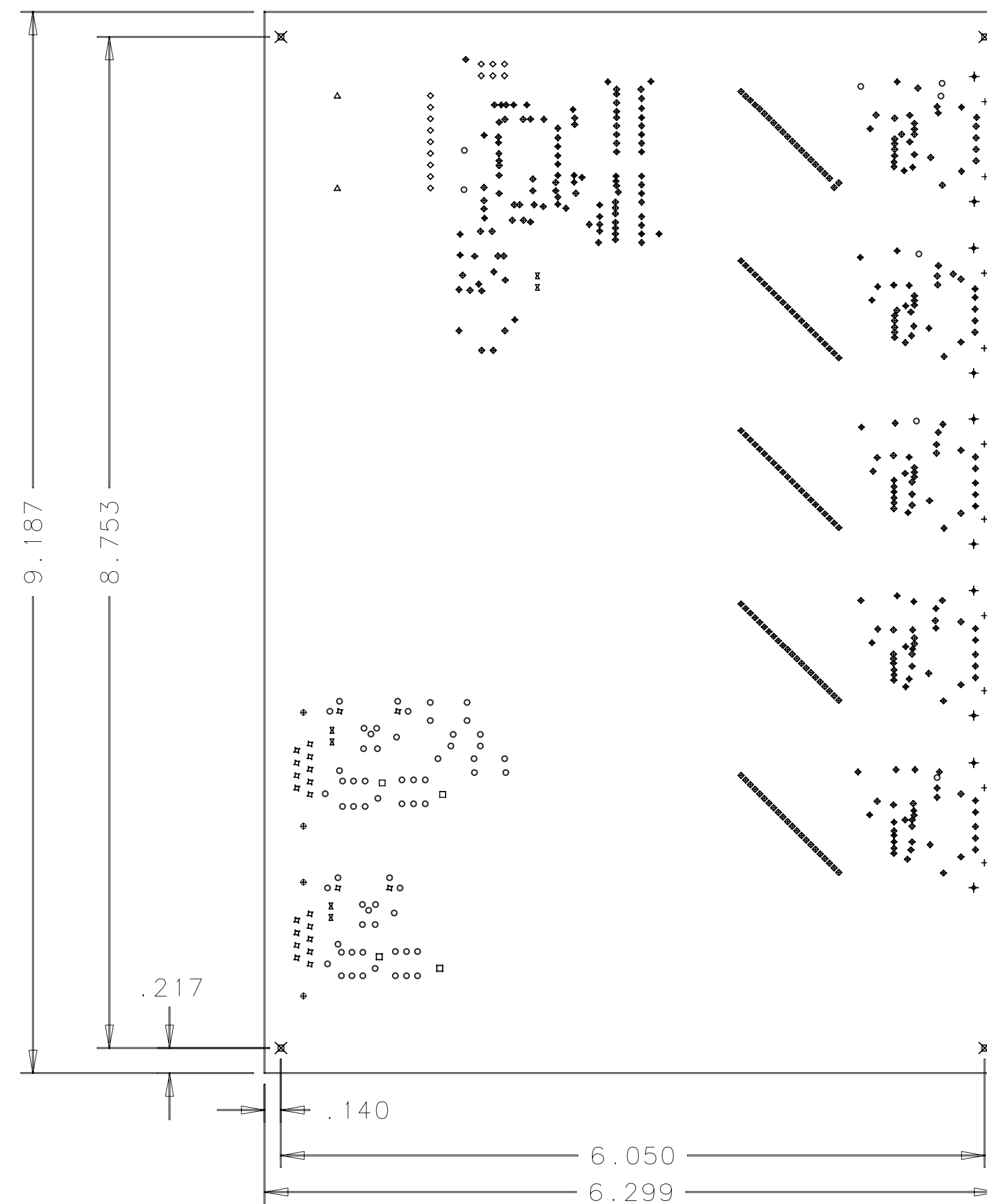


ITEM	PART NO.	QTY.	DESCRIPTION
1	10Y-226430 M1 - M10	REF	ARTWORK

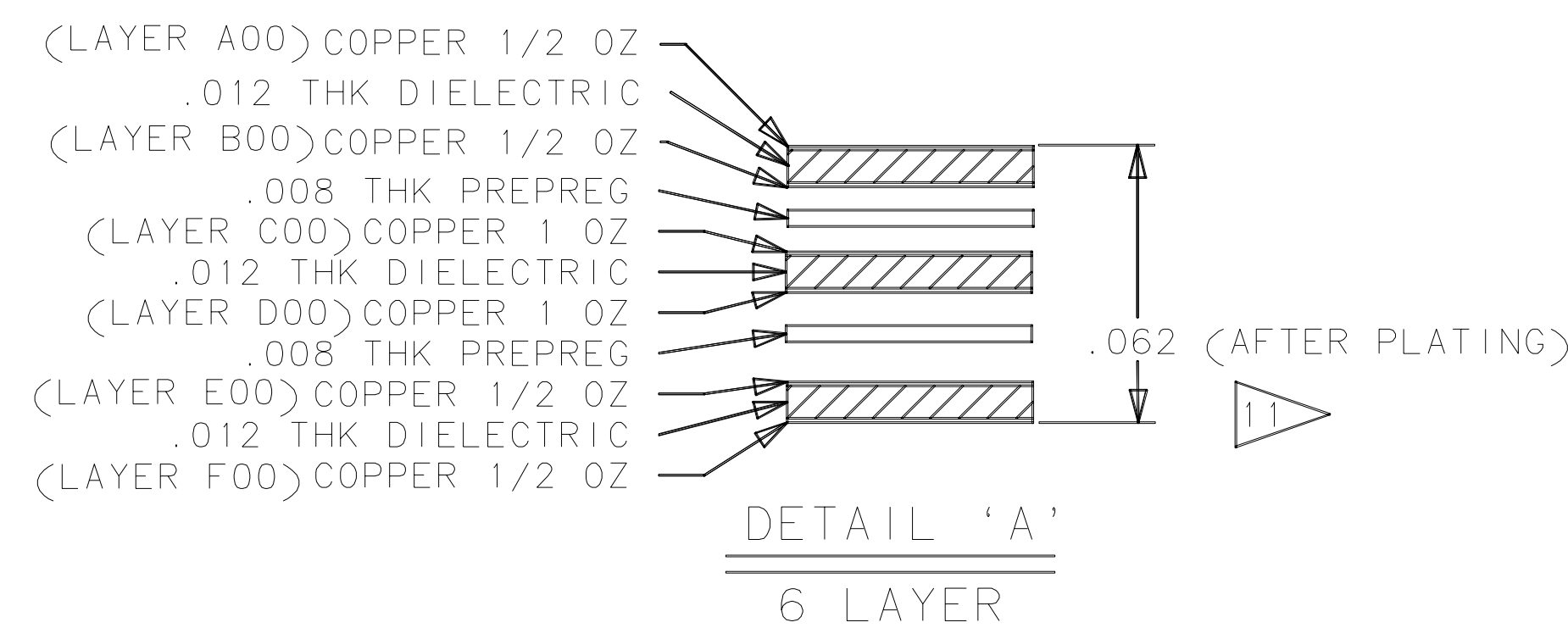


NOTES:

- FABRICATE PRINTED CIRCUIT BOARDS TO THE LATEST VERSION OF MIL-P-55110 WITH THE FOLLOWING EXCEPTIONS:
- ARTWORK DATA, SEE ITEM 1
 - MATERIAL: POLYIMIDE PLASTIC SHEET, LAMINATED COPPER CLAD, TYPE G1, GRADE B, CLASS 2 PER MIL-S-13949/10. GLASS CLOTH (B STAGE) RESIN PREIMPREGNATED TYPE PGI PER MIL-S-13949/13.
 - DIELECTRIC LAYER THICKNESS: FINISHED BOARDS SHALL HAVE A MIN. OF 0.0035 IN. OF DIELECTRIC MATERIAL BETWEEN CONSECUTIVE CONDUCTOR LAYERS.
 - COPPER PLATING: ELECTRODEPOSITED COPPER PLATING SHALL BE PER MIL-C-14550. PLATED HOLES SHALL BE PLATED TO 1 OZ WITH A MIN. THICKNESS OF 0.0012 IN.
 - TIN LEAD PLATING PER MIL-P-81728A, .0003 INCH MIN. THICKNESS.
 - ANNULAR RING: A MIN. ANNULAR RING OF 0.001 IN. IS ALLOWED ON EXTERNAL LAYERS AND 0.002 IN. ON INTERNAL LAYERS.
 - ETCHBACK: THE MIN. ETCHBACK ALLOWED IS 0.0002 IN. AND THE MAX. IS 0.0012 IN.
 - CONDUCTOR WIDTH AND SPACING: THE MIN. ALLOWABLE CONDUCTOR WIDTH IS 0.007 IN. THE MIN. ALLOWABLE SPACING BETWEEN CONDUCTORS AND LANDS IS 0.010 IN. THE MIN. SPACING BETWEEN CONDUCTORS AND LANDS TO THE EDGE OF THE BOARD IS 0.020 IN. ON LAYER A AND 0.050 IN. ON THE FAR SIDE.
 - BOW AND TWIST: THE MAX. ALLOWABLE BOW AND TWIST SHALL BE 1.0%.
 - QUALITY ASSURANCE: ALL BOARDS WILL BE SUBMITTED FOR GROUP A TESTING PER MIL-P-55110. ELECTRICAL TESTING FOR CIRCUIT CONTINUITY AND SHORTS IS REQUIRED. CERTIFICATE OF COMPLIANCE, GROUP A TEST DATA, AND TEST COUPONS (PROCESSED AND UNPROCESSED) ARE DELIVERABLE ITEMS.

11 100 OHM IMPEDANCE MICROSTRIP TRACES TO BE WITHIN +/- 2%. VENDOR MAY CHANGE STACKUP TO MANTAIN REQUIRED IMPEDANCES.

DRILL SYMBOL	DRILL SIZE	COUNT	PLATED
⊕	0.012	388	YES
○	0.02	71	YES
□	0.032	4	YES
◇	0.04	15	YES
⊗	0.042	6	YES
⊕	0.045	22	YES
△	0.07	2	YES
+	0.079	10	NO
×	0.109	4	NO
⊕	0.11	10	NO
⊕	0.12	4	NO



100 OHM IMPEDANCE BETWEEN LAYERS 1(A) & 3(C) .007 WIDE TRACE
(THESE ARE MICRO-STRIP TRACES REFERENCING INTERNAL PLANES)

A		REWORKED LAYOUT		7/18/00	G.S.
REVISION LETTER	CLASS REVIEW	REVISIONS		DATE	CHANGED BY
LOS ALAMOS		LOS ALAMOS NATIONAL LABORATORY		LOS ALAMOS, NEW MEXICO 87545	
PART: UNCL		TITLE BLOCK: UNCL		TITLE	
CLINK_TX		CLINK_TX		DETAIL	
ORIGINATED	M.ECHAVE	01-03-00	NIS-4	.X= +/-	0.XX= +/-
DRAWN	G.SAEWERT	01-03-00	NIS-4	ANGULAR= +/-	
CHECKED				0.X= +/-	0.XXX= +/-
PROJ. ENGR.				FINISH= +/-	
APPROVED				SCALE	TOTAL SHEETS
RELEASED				1/1	10Y-226430
				DRAWING NO.	SHEET No.
				DD15	