

REVISIONS			
REV	DESCRIPTION	DATE	APPROVED

8

7

6

5

4

3

1

D

C

B

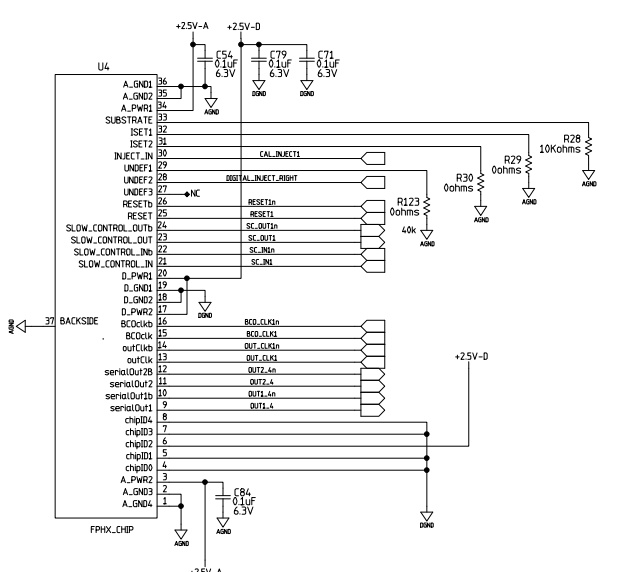
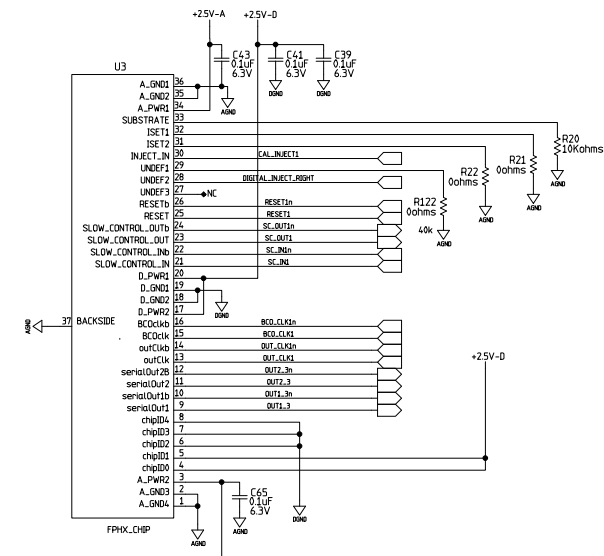
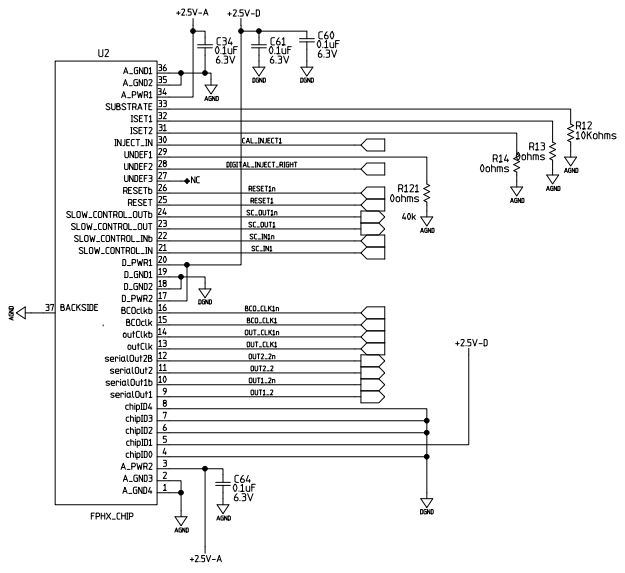
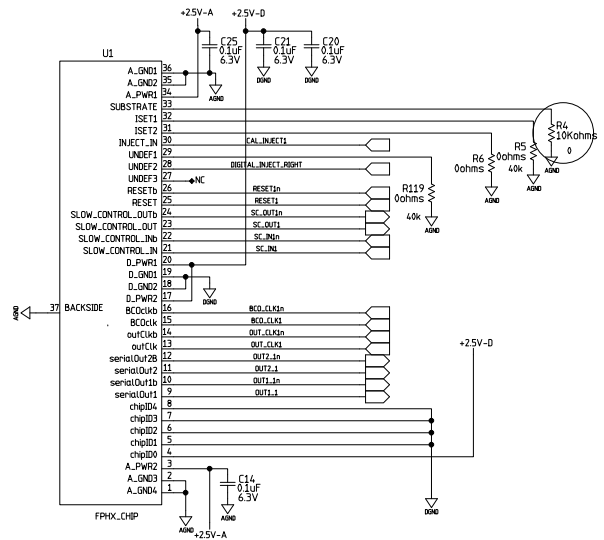
A

D

C

B

A



CONTRACT NO.			
APPROVALS	DATE		
DRAWN			
CHECKED			
ISSUED		SIZE FSCM NO.	DWG. NO.
		D	
		SCALE	SHEET

8

7

6

5

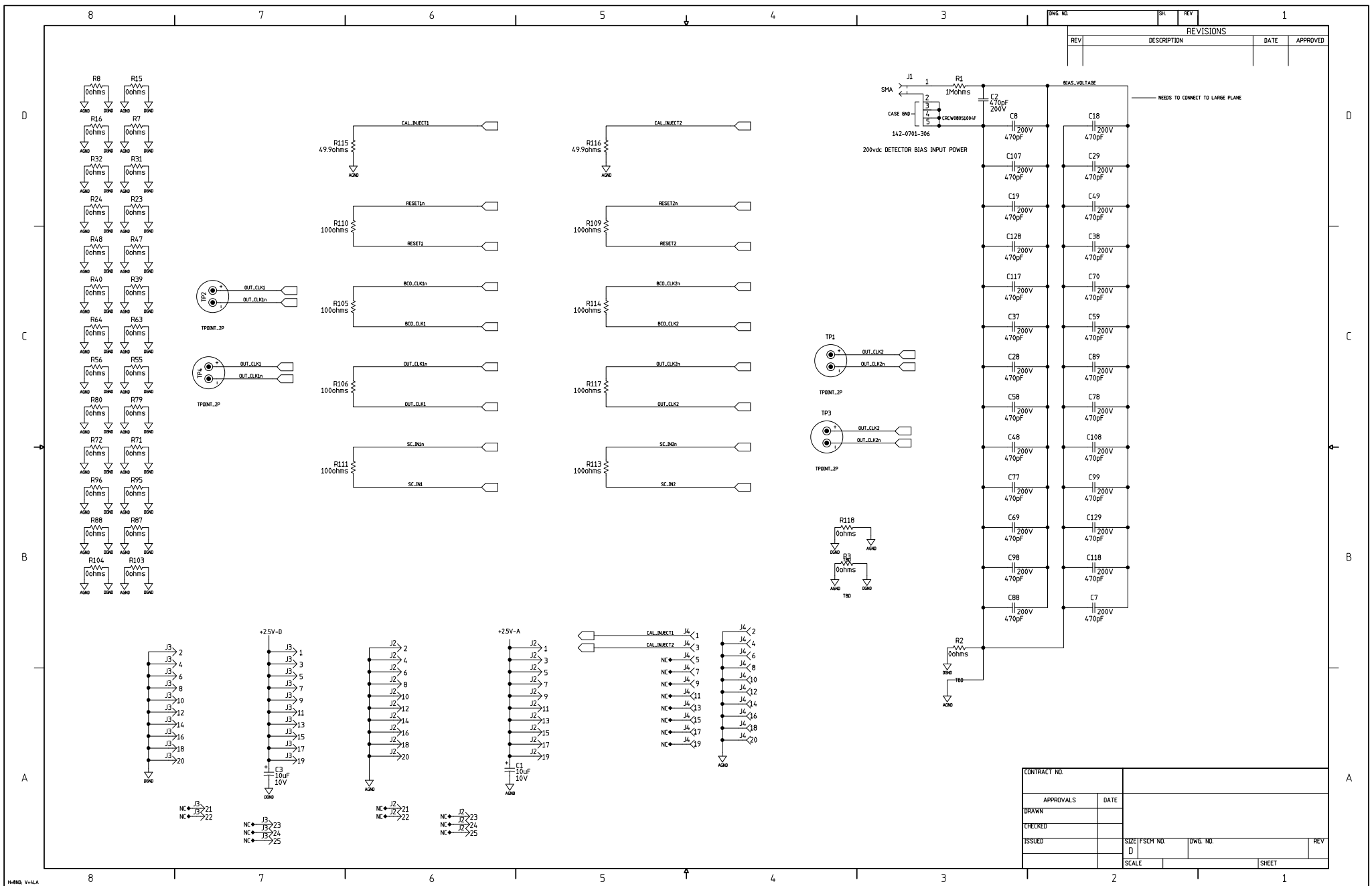
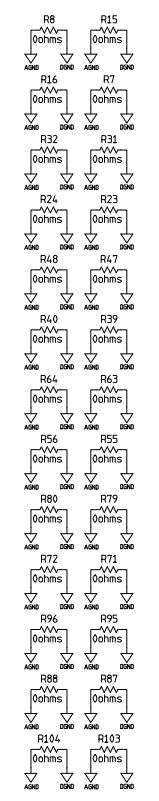
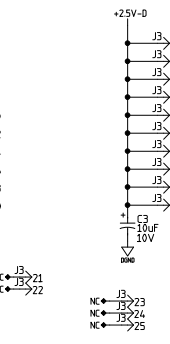
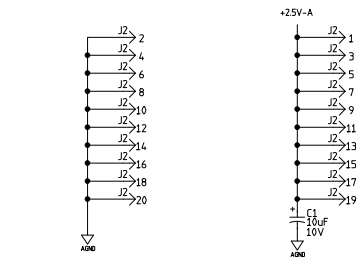
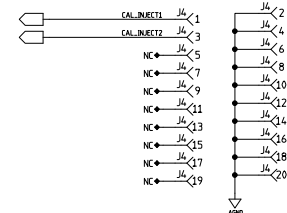
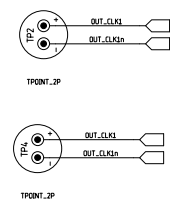
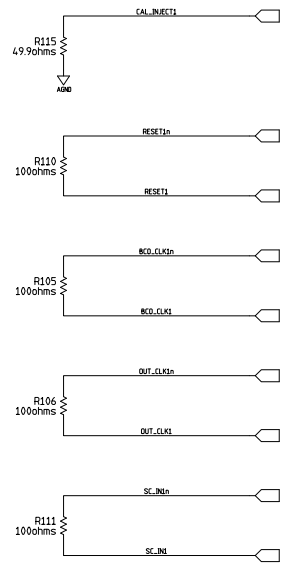
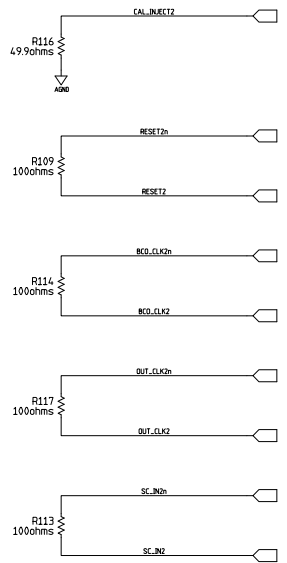
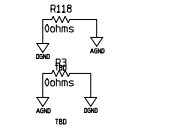
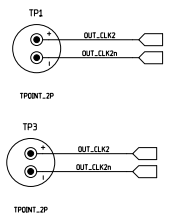
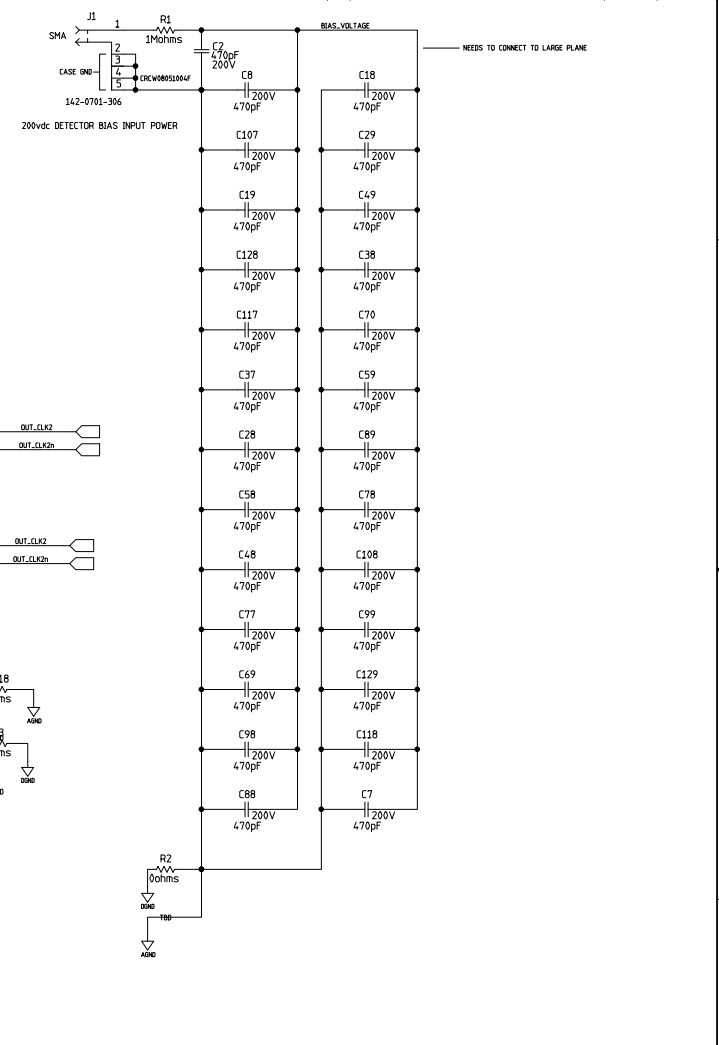
4

3

2

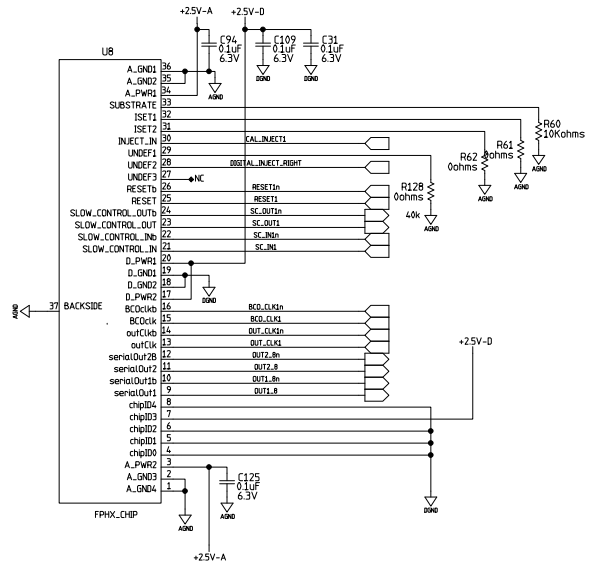
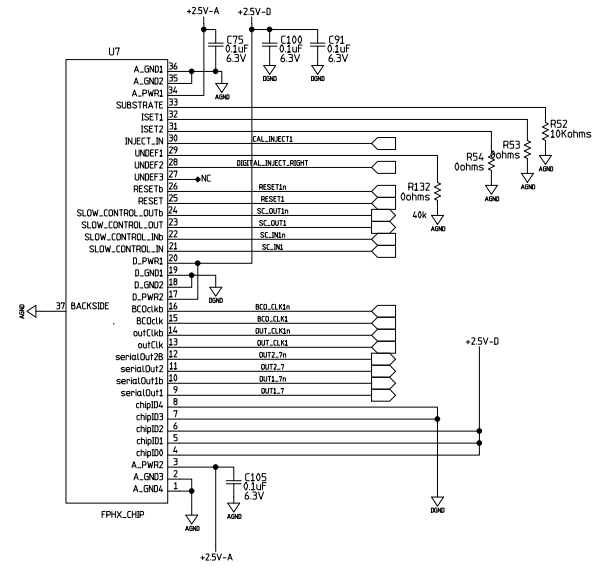
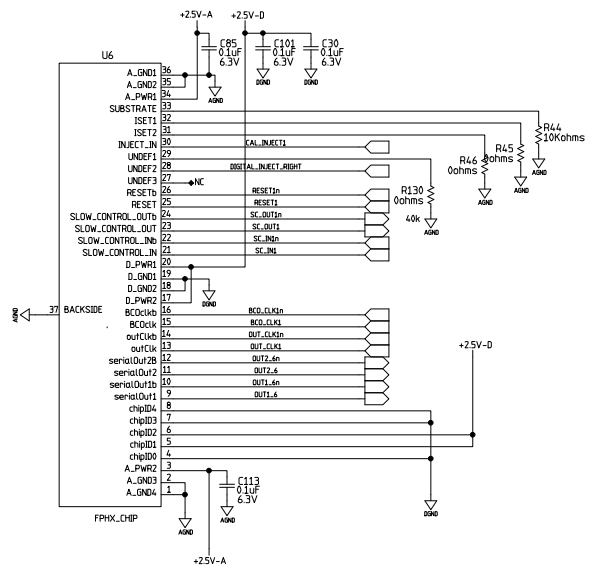
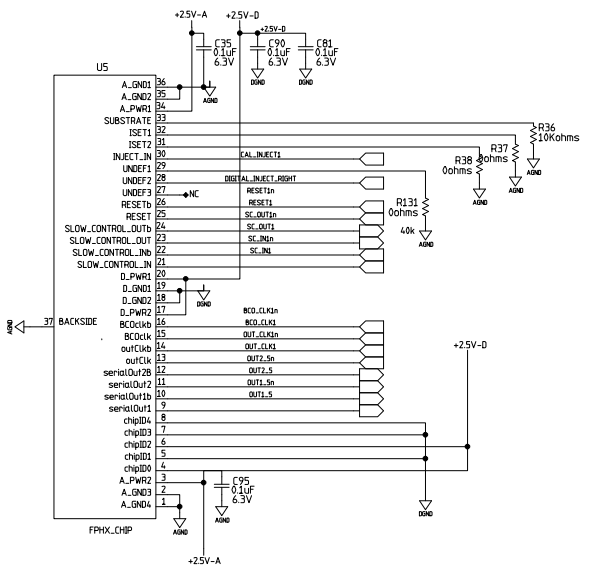
1

REVISIONS			
REV	DESCRIPTION	DATE	APPROVED



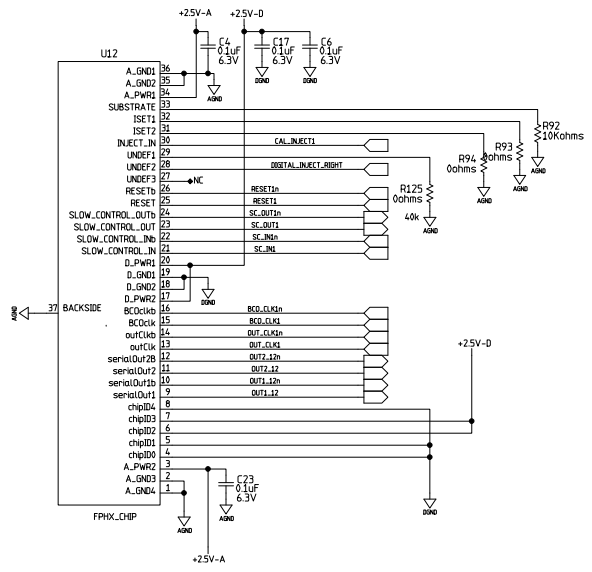
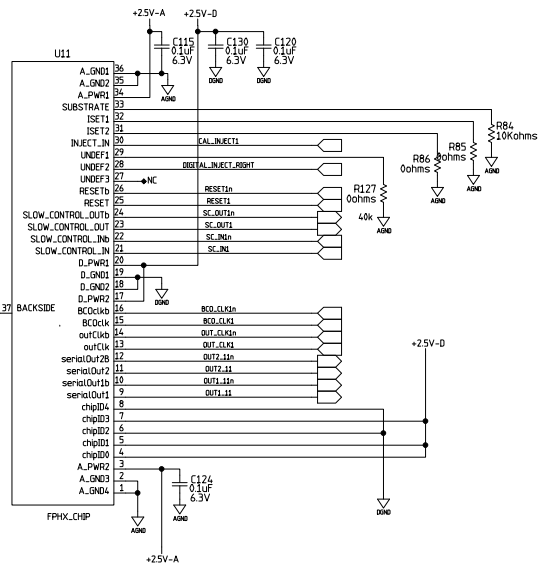
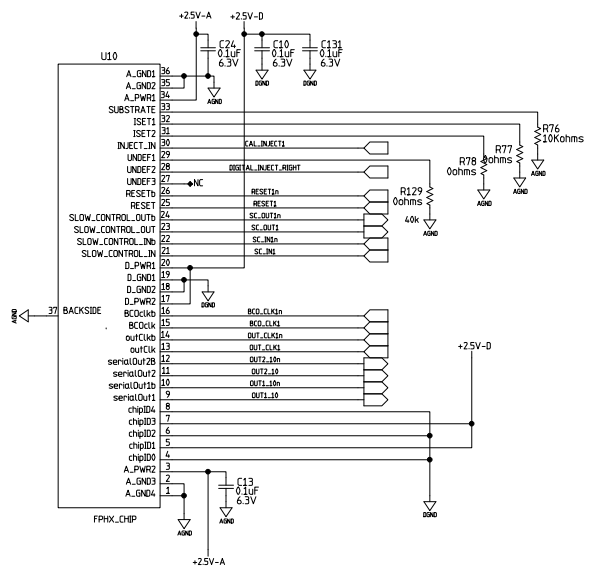
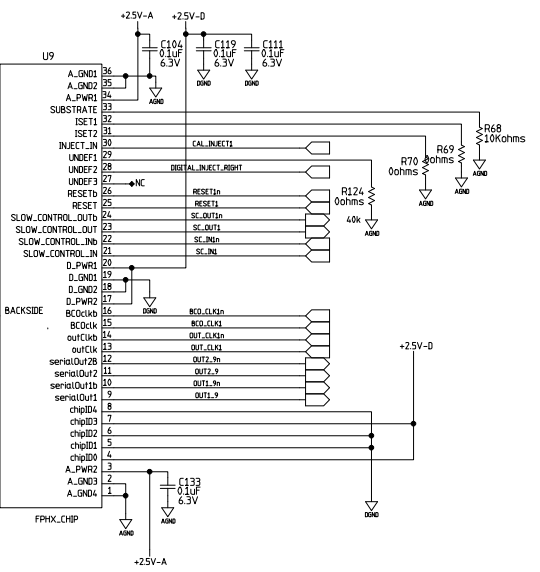
CONTRACT NO.		APPROVALS		DATE	
DRAWN		CHECKED		ISSUED	
SCALE		SIZE FSCM NO.		DWG. NO.	
SCALE		D		REV	
SHEET		SHEET		SHEET	

REVISIONS			
REV	DESCRIPTION	DATE	APPROVED



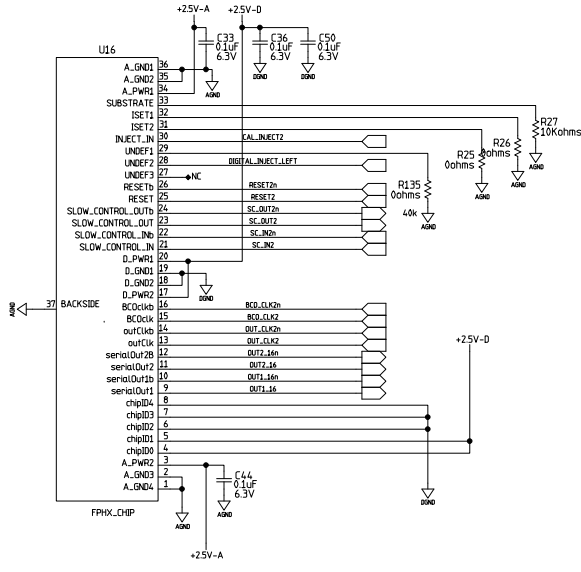
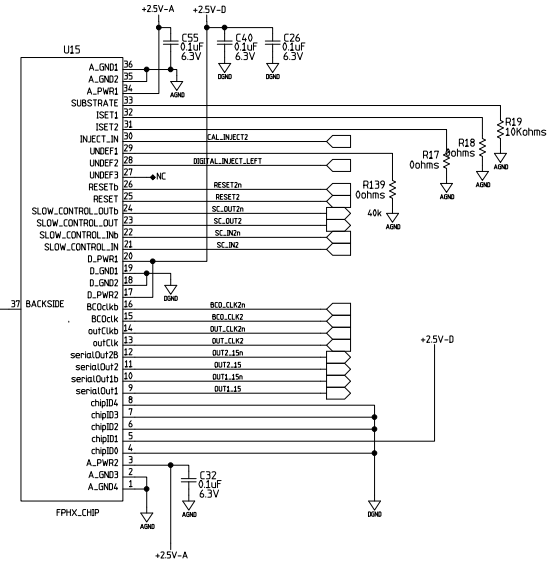
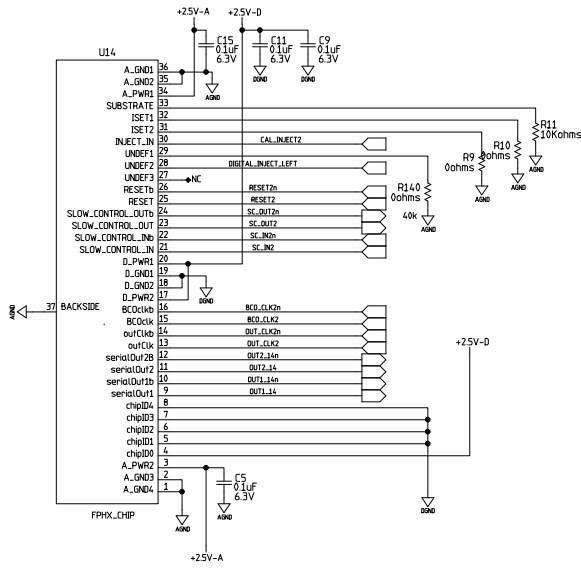
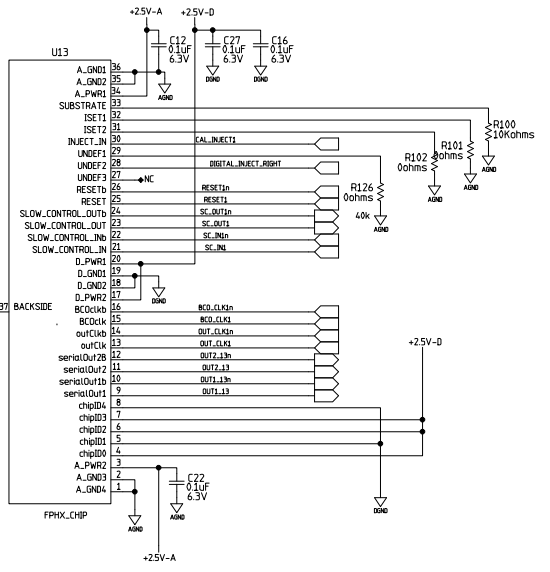
CONTRACT NO.			
APPROVALS	DATE		
DRAWN			
CHECKED			
ISSUED		SIZE FSCM NO.	DWG NO.
		D	
		SCALE	SHEET

REVISIONS			
REV	DESCRIPTION	DATE	APPROVED



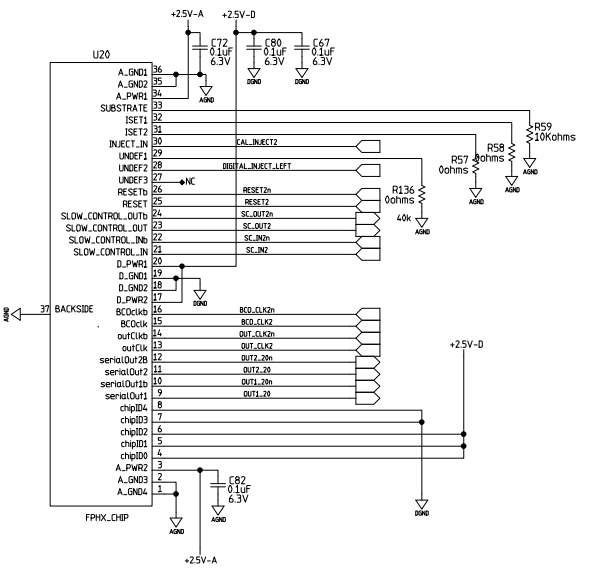
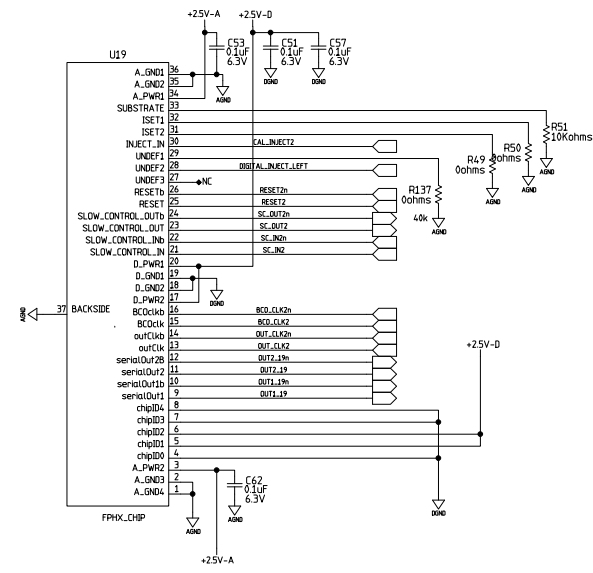
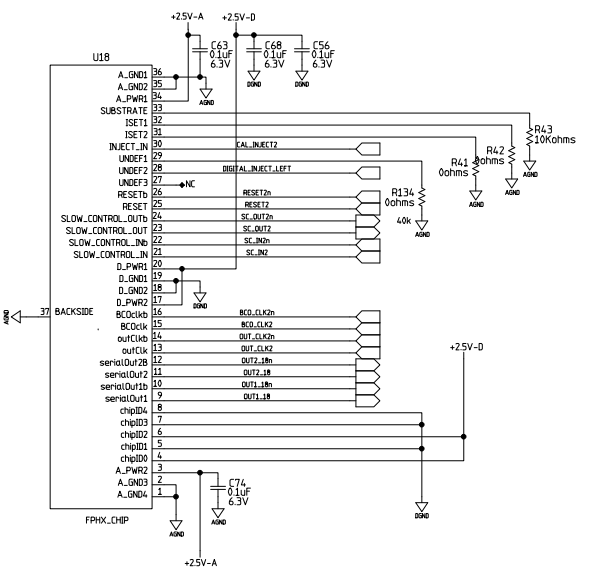
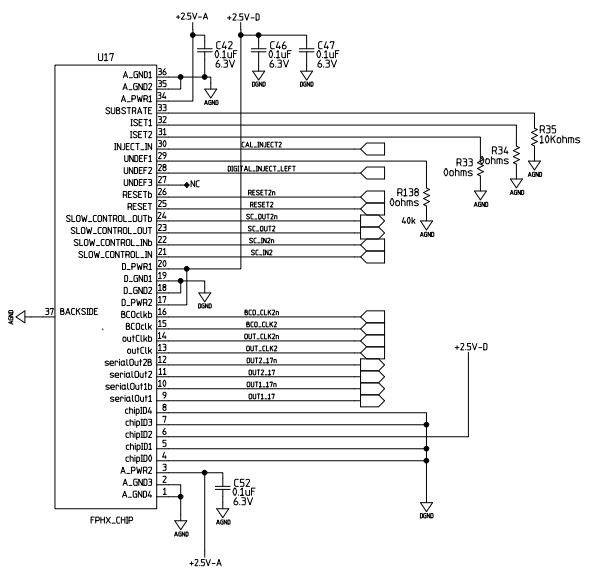
CONTRACT NO.		APPROVALS		DATE
DRAWN		CHECKED		ISSUED
SCALE		SIZE	FSCM NO.	DWG NO.
SHEET		REV		

REVISIONS			
REV	DESCRIPTION	DATE	APPROVED



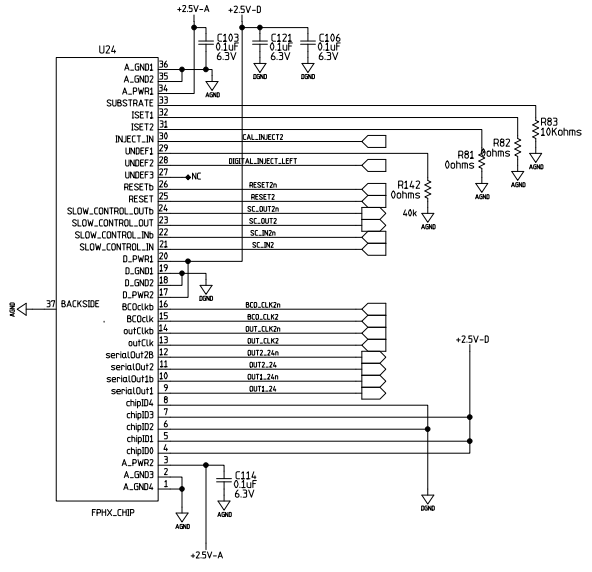
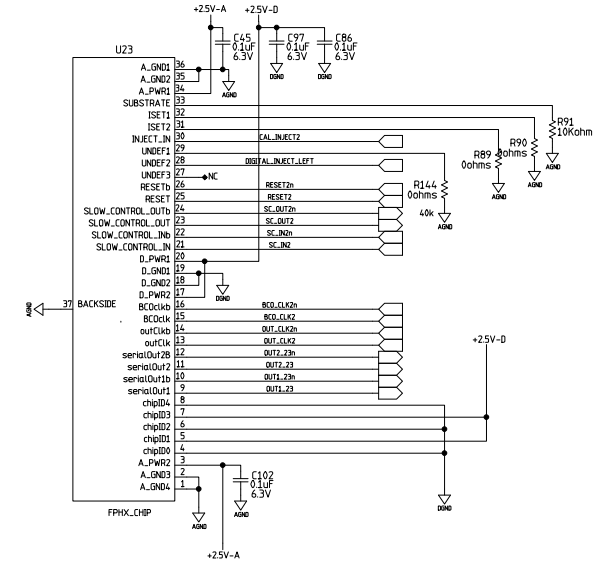
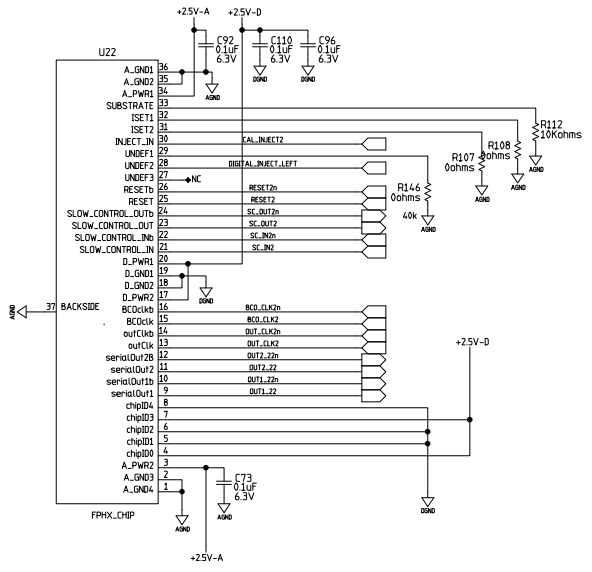
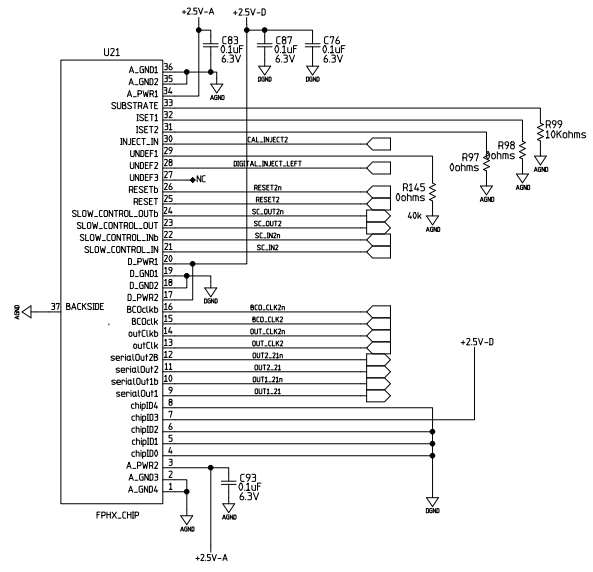
APPROVALS		DATE	CONTRACT NO.
DRAWN			
CHECKED			
ISSUED			
SIZE	FSCM NO.	DWG. NO.	REV
SCALE			SHEET

REVISIONS			
REV	DESCRIPTION	DATE	APPROVED



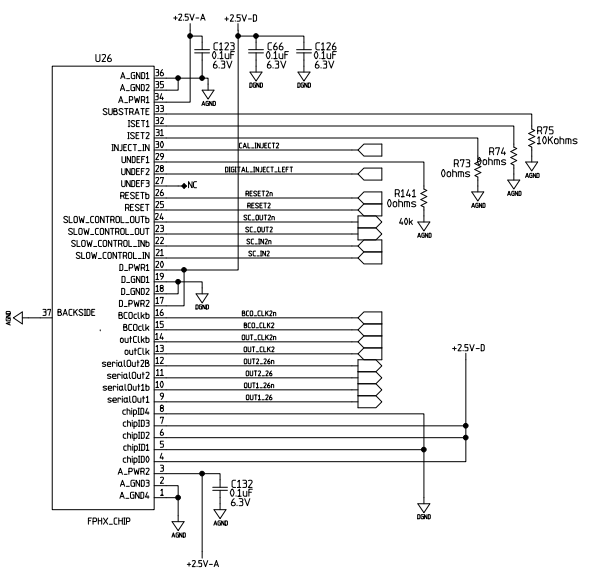
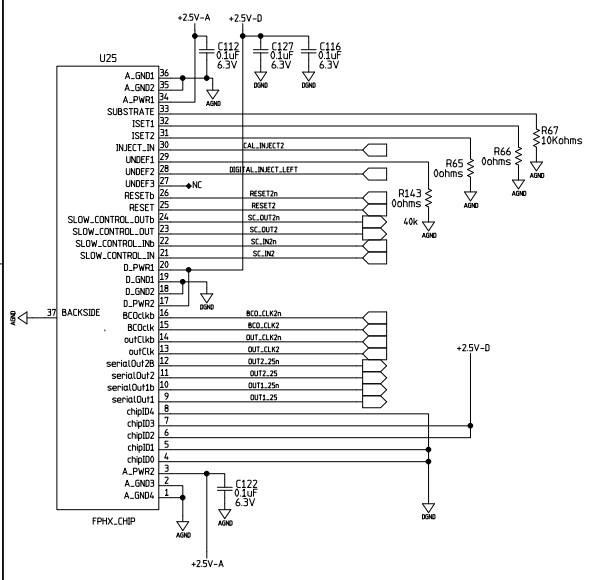
APPROVALS		DATE	CONTRACT NO.	
DRAWN				
CHECKED				
ISSUED			SIZE FSCM NO.	DWG NO.
			D	
			SCALE	SHEET

REVISIONS			
REV	DESCRIPTION	DATE	APPROVED



APPROVALS		DATE	CONTRACT NO.	
DRAWN				
CHECKED				
ISSUED			SIZE FSCM NO.	DWG NO.
			D	
			SCALE	SHEET

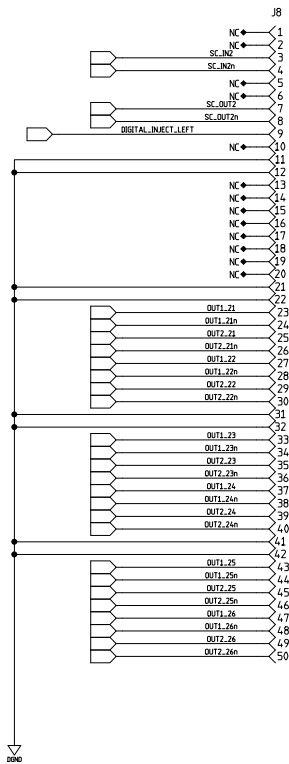
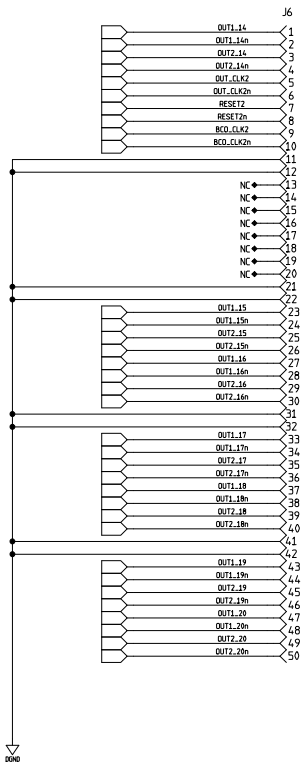
REVISIONS			
REV	DESCRIPTION	DATE	APPROVED



CONTRACT NO.			
APPROVALS	DATE		
DRAWN			
CHECKED			
ISSUED		SIZE FSCM NO.	DWG NO.
		D	
		SCALE	SHEET







Left

REVISION LETTER		CLASS REVISION		DATE		CHANGE BY		CHECK BY		APPROVED BY	
ORIGINAL ISSUE											
REVISIONS											
LOS ALAMOS				DRAWING U		DRAWING U		DRAWING U		DRAWING U	
LOS ALAMOS NATIONAL LABORATORY				TITLE		(P-25)		HEAVY QUARK DETECTOR		DATA ACQUISITION SYSTEM	
LOS ALAMOS, NEW MEXICO 87545				TITLE		HEAVY QUARK DETECTOR		DATA ACQUISITION SYSTEM		SIGNAL CONNECTORS-STATION 2	
MENTOR 2005											
ORIGINATED	NAME	SIGNATURE	DATE	GROUP	TOLERANCE UNLESS OTHERWISE NOTED						
DESIGNED					Xx ±	XXX ±	±	ANGULAR	±		
DRAWN	S. CHACON	S. CHACON	JUN 2008	ADT-IC	XX ±	±	±	FMSD	±		
CHECKED	M. PRONKOP	M. PRONKOP	JUN 2008	ADT-RFE							
PROJ. ENGR.	M. PRONKOP	M. PRONKOP	JUN 2008	ADT-RFE							
APPROVED					SCALE	NO. SHEETS	DRAWING NO.	SHEET NO.			
RELEASED					N/A	1	126Y-267912	D	2		