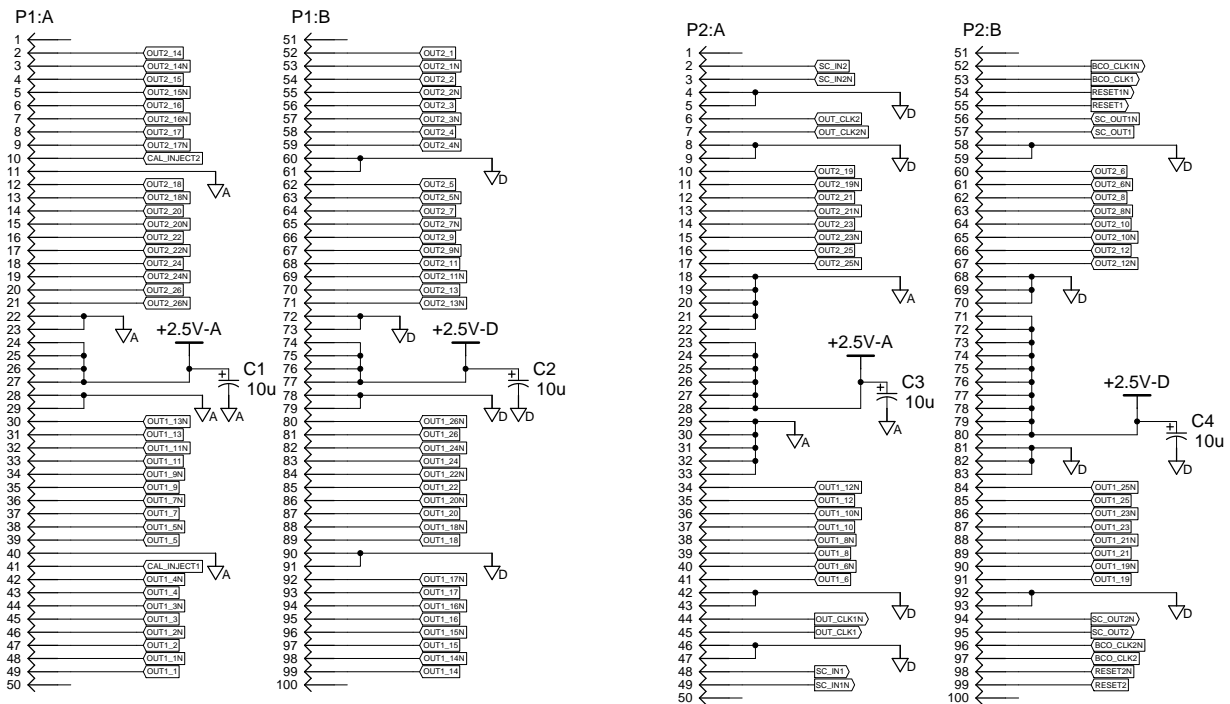



- NOTES:
 1. FOR FABRICATION DETAILS SEE DRAWING 0064T0102.
 2. FOR ARTWORK SEE DRAWING 0064T0103.
 3. FOR ASSEMBLY SEE DRAWING 0064T0104.

REVISIONS			
REV	DESCRIPTION	DATE	APPROVED



CONTRACT NO.		 UNIVERSITY OF NEW MEXICO DEPARTMENT OF PHYSICS AND ASTRONOMY ELECTRONICS SHOP ALBUQUERQUE, NEW MEXICO, USA 87131	
DRAWN J. BEHRENDT	DATE 9/11/08		
APPROVED	DATE	TITLE HIGH DENSITY INTERCONNECT	
APPROVED	DATE	DWG NO 0064T04	
APPROVED	DATE	SCALE B	REV -1
NONE		SHEET 1 OF 9	

